



FLEXRING

Manual

1. Installation:

1. It is advisable to use a cut RJ45 that takes less space than a standard network cable.
2. Insert the recessed tray into the wall. If the tray is deeper than the wall, the accessory can be brought forward.
3. Secure the accessory with the 4 nuts.
4. Push button is above the display.
5. Snap the Flex ring into the accessory.

2. Programmation

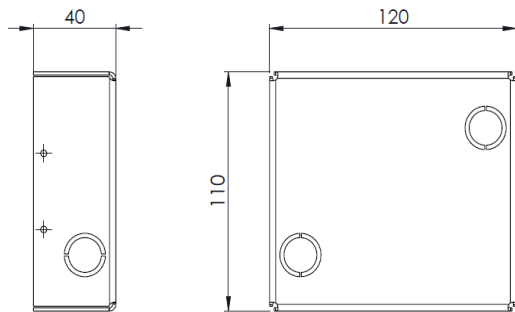
1. Connect the Flexring PoE to the switch
2. Flexring is DHCP set. The IP address obtained appears on the screen during start-up.
3. There are 2 logs in: admin admin and user user.
4. Under status you will see a summary of the settings. You cannot change anything here.
5. Under device settings, the first line and the second line of the display can be entered. The first 16 characters are displayed. Location Device serves as a reminder if multiple Flexrings are present in one project.
6. With account you can change the two log ins. Eg 1 for the end customer, 1 for the installer

3. Dimensions

With push button: 130x120x40mm (WxHxD)

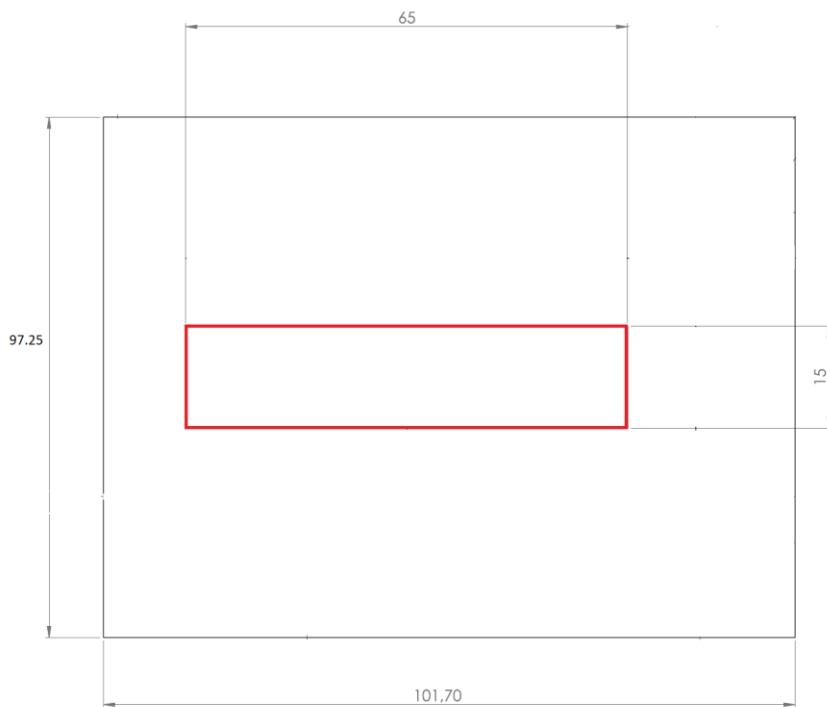


Recess dimensions:



Rear without push button:

Recess to provide: 65x15mm



SCALE:2:1